

DE&E PRODUCT WARRANTIES

Range Hoods : 2-Year Parts & Labour */ 10-Year Motor*(Part Only after 2nd year)

Gas Hobs : 2-Year Parts & Labour *

Combi Ovens : 2-Year Parts & Labour *

*Please refer to our website(www.audee.com.au)for full terms and conditions on all DE&E product warranties



Authorized Australian Distributor:

East Upward Building Supplies Pty Ltd

47 Henderson Rd, Clayton, VIC 3168

Web: www.audee.com.au

☎ : 0413587118



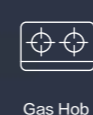
Super Air Pressure Range Hood

Rapid Smoke Suction (1800m³/h)

Thorough Smoke Exhausting (1200Pa)



Range Hood



Gas Hob



Steam Oven

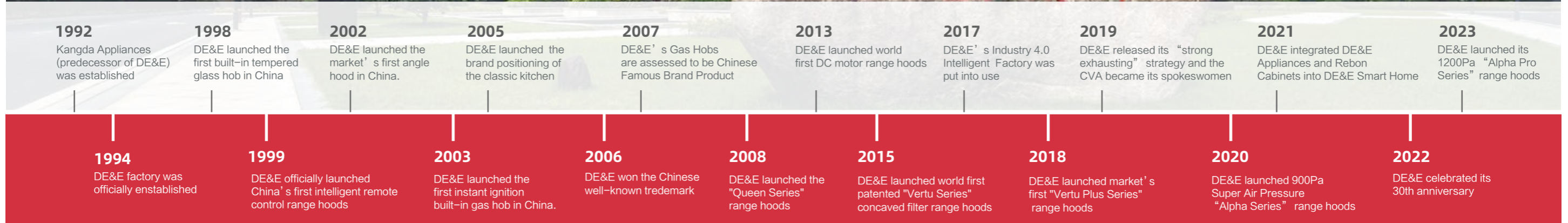


Electric Oven



Steam & Grill Oven

Product Brochure
www.audee.com.au



Company Profile

Established in 1992, DE&E has been an industry leader in designing and manufacturing, and supply its high-quality kitchen appliances to over 10 million families in 40 different countries during the past 31 years.

Being an innovative market leader with its own R&D and having invested US\$100m into one of the world's latest Intelligent Factory Systems-Industry 4.0 Automation System, DE&E is always a step ahead of the rest counterparts at home and abroad.

Intelligent factory

DE&E has invested US\$100m to implement the most advanced intelligent factory for kitchen appliances in China. By taking industry 4.0 as the design concept, network system and IOT (internet of things) as technological base, DE&E's intelligent factory has successfully achieved intelligent operations during the whole process from product designs, procurement, manufacturing to warehousing logistics. It has technically transformed from the traditional model to being the most advanced modern high-end kitchen appliances manufacturer in the industry.



INDUSTRY 4.0

Coverage area	Construction area
78,000 m²	195,000 m²
Producing capacity	Output value
2,000,000 units	\$800 million

30 Years of Brand Strength



Market's First Industry 4.0 Intelligent Factory

The Only Kitchen Appliance Brand To Be Chosen on CCTV's Column Craftsmanship Spirit

Advanced Equipment and Professional Testing

High-tech Enterprise

Enterprise Honor with Proven Strength

Honor comes from **STRENGTH**, Diligence delivers **GLORY**, 30 years of Success, more than **50** heavyweight honors



Most Influential Company in China's Range Hood Industry for 30 years
 Top 10 Brands in China's Home Appliances Industry
 Top 10 in China's Kitchen Appliances Industry
 Outstanding Private Technology Enterprise
 China's Top 100 Light Industry Companies
 China's Top 10 Most Culturally Valuable Brands
 National Excellent Quality and Integrity Model Company
 Top 10 Brands For User Satisfaction in China's Disinfection Cabinet Market
 Leading Company in China's New Media Marketing Kitchenware Industry
 China's Top 100 Real Estate and Top 10 Renovation Suppliers
 China's Certified Civil Engineering High-quality Material Supplier
 China's Real Estate Development Industry's Top 500 Suppliers



Strategic Partners

PROJECT



KA



Super High Static Air Pressure Range Hood

The Ultimate Range hood that Australian Users Praise

- Deep Smoke Collection Chamber**
Innovative 140mm 2-stage deep smoke collection area, going beyond traditional range hoods, "Bernoulli Effect" golden roof design, featuring 360° smoke collection
- Super Big Suction Power**
Up to 1800m³/h super big suction power, far exceeding 1200m³/h industry standard, strong suction power to guarantee instant smoke suction
- Super air pressure**
Equipped with a smart DC motor, and an innovative air pressure intelligent reinforcement system to adjust the turbine speed, range hood is able to resolve any flue congestion and smoke backflow issues
- Super Quite**
Equipped with Hypersonic Aviation Impellers, this effectively results in noise-cancellation in the range of 42dB-53dB. The success of this original design is achieved by 3 years of joint cooperation between the DE&E's Post-Doctoral Research Station and Xi'an Jiaotong University
- Perfect Match with Cabinets**
Depth of chimney is 325mm which will make range hood perfectly matches with standard kitchen cabinets, creating fashionable life space



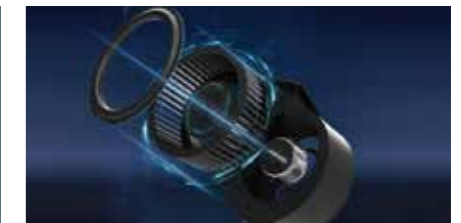
High-Temp Auto-heated Clean

The hood will automatically enter into auto-heated clean mode after it has been working for accumulative 60 hours and shuts down after 30 minutes. The 75°C electric heating will melt the internal oil and shake it off at high speed to keep air duct system clean so suction power lasting and strong.



Air Duct System

Pressurized volute can more accurately control the airflow direction to make the eccentric angle as 66.6° to create a golden channel for smoke extraction.



1200Pa Super Air Pressure

DE&E pioneered the industry's ultra-large air pressure of 400-1200Pa, which effectively handles any hot air pressure (resistance) and mechanical static imbalance. It expels fumes smoothly for a clean intake.



Super Air Pressure
Range Hood
 T5Pro Strong exhaustion and suction

New Design **DE&E Range Hood**

140mm Original Design two-stage suction chamber

Suction area increases \approx **30%**



DE&E Design
 Smoke-absorbing area



Traditional Style Design
 Smoke-absorbing area



- ▲ **SP3.0 full DC variable frequency motor**
- ▲ **High-temp auto-heated clean:** Guarantee lasting big suction power
- ▲ **Gesture control:** Keep both your hand and panel glass clean
- ▲ **Intelligent lifting smoke deflector:** Automatic smoke guiding
- ▲ **Deep smoke collection and side suction:** Make smoke nowhere to hide
- ▲ **Hood & Hob Linkage:** Ignite hob and hood will start automatically

▲ Max Airflow (m ³ /hr)	1,800
▲ Max Air Pressure (Pa)	1200
▲ Noise Level	54dB
▲ Power Consumption (W)	283
▲ Net/Gross Weight (KG)	28.7/37



- ▲ Deep cavity on all sides to lock in oil fumes
- ▲ Smaller body to match kitchen cabinets better
- ▲ High-temp auto-heated clean to automatically remove oil stain
- ▲ Smart control by waving your hand to make it easier to control
- ▲ Hood & Hob Linkage: Ignite hob and hood will start automatically

▲ Max Airflow (m ³ /hr)	1,800
▲ Max Air Pressure (Pa)	1000
▲ Noise Level	54dB
▲ Power Consumption (W)	260
▲ Net/Gross Weight (KG)	21/25



- ▲ Hood & Hob Linkage: Ignite hob and hood will start automatically
- ▲ 3D smoke gathering and suction to make smoke no where to hide
- ▲ Perfect 45cm body depth releases more free cooking space
- ▲ High-temp auto-heated clean to automatically remove oil stain
- ▲ Smart control by waving your hand to make it easier to control

▲ Max Airflow (m ³ /hr)	1,800
▲ Max Air Pressure (Pa)	1000
▲ Noise Level	54dB
▲ Power Consumption (W)	260
▲ Net/Gross Weight (KG)	21/25



- ▲ Elegant black glass touch panel
- ▲ Vertu particular design filter & air pressure adjustment
- ▲ Visual digital variable frequency motor (intelligent rotation speed adjustment)
- ▲ Hypersonic aviation impeller (drum blade)
- ▲ Grease resistance chamber, TEFLON fan blade

▲ Max Airflow (m ³ /hr)	1,480
▲ Max Air Pressure (Pa)	480
▲ Noise Level	53
▲ Power Consumption (W)	234
▲ Net/Gross Weight (KG)	24.5/29.5



- ▲ 304 stainless steel (w/ soft touch control)
- ▲ Vertu particular design filter & air pressure adjustment
- ▲ Visual digital variable frequency motor (intelligent rotation speed adjustment)
- ▲ Hypersonic aviation impeller (drum blade)
- ▲ Grease resistance chamber, TEFLON fan blade

▲ Max Airflow (m ³ /hr)	1,480
▲ Max Air Pressure (Pa)	480
▲ Noise Level	53
▲ Power Consumption (W)	234
▲ Net/Gross Weight (KG)	23/28

900mm T-Shape Range Hood

Warranty: 2-Year Range Hood
10-Year Motor



A: 576 (HT90Q8)
600 (HT9085/HT9086)
540 (HT9035P/HT9091P)
B: 190 (HT90Q8/HT9035P/HT9091P)
180 (HT9085/HT9086)



- ▲ Wide smoke collection area
- ▲ Ultra-slim hood body can match different kitchen cabinets
- ▲ High-temp Auto-heated clean free from inner oil stain
- ▲ **Gesture control:** Keep both your hand and panel glass clean
- ▲ Detachable filter, easy for cleaning in dishwasher

▲ Max Airflow (m ³ /hr)	1,800
▲ Max Air Pressure (Pa)	1200
▲ Noise Level	54
▲ Power Consumption (W)	272
▲ Net/Gross Weight (KG)	24.2/27.8

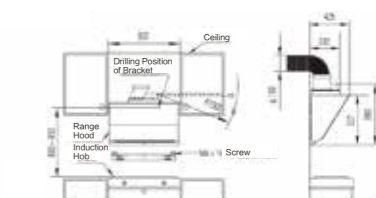
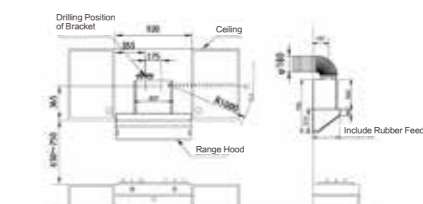


- ▲ SP3.0 full DC variable frequency motor
- ▲ Side & bottom suction, no close to smoke
- ▲ Unimpeded pressurized air duct system
- ▲ **Gesture control:** Keep both your hand and panel glass clean
- ▲ High-temp Auto-heated clean free from inner oil stain

▲ Max Airflow (m ³ /hr)	1,700
▲ Max Air Pressure (Pa)	920
▲ Noise Level	54
▲ Power Consumption (W)	272
▲ Net/Gross Weight (KG)	26.4/31.7

900mm Side Suction Range Hood

Warranty: 2-Year Range Hood
10-Year Motor



- ▲ Elegant black glass front panel
- ▲ Hypersonic aviation impeller (drum blade)
- ▲ Smart auto air pressure adjustment
- ▲ TEFLON blade/Grease resistance chamber

▲ Max Airflow (m ³ /hr)	1,090
▲ Max Air Pressure (Pa)	400
▲ Noise Level	54
▲ Power Consumption (W)	202
▲ Net/Gross Weight (KG)	13.8/17.5

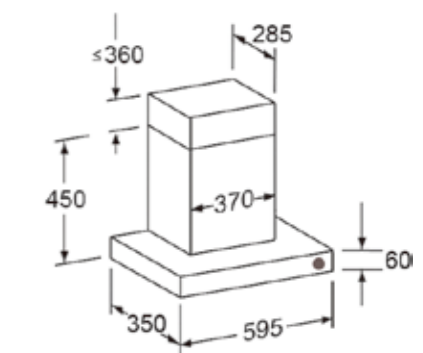


- ▲ Stainless steel body/panel
- ▲ Hypersonic aviation impeller (drum blade)
- ▲ Smart auto air pressure adjustment
- ▲ TEFLON blade/Grease resistance chamber

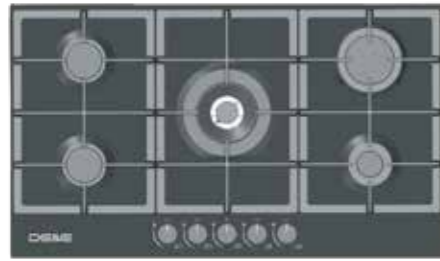
▲ Max Airflow (m ³ /hr)	1,090
▲ Max Air Pressure (Pa)	400
▲ Noise Level	54
▲ Power Consumption (W)	202
▲ Net/Gross Weight (KG)	12.3/16

600mm Powerful Filter-less series Canopy-hood

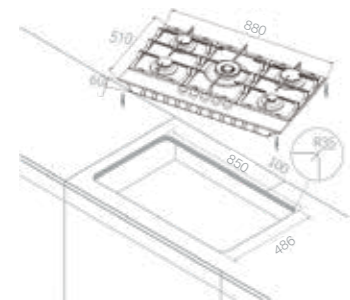
Warranty: 2-Year Range Hood
10-Year Motor



S58666-880mm (5-Burner Glass)



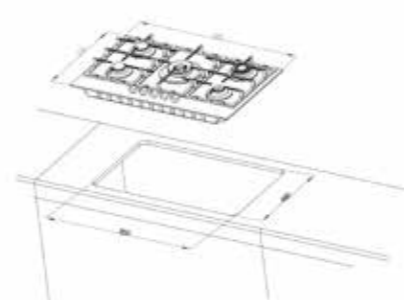
- ▲ No. of Burners 5 Burners
- ▲ Product Size 880*520 (L*W)
- ▲ Cutout Size 850*486 (L*W)
- ▲ Panel Thickness 8mm
- ▲ Panel Material 4-Layer Tempered Glass
- ▲ Pilot Ignition 240V (10A) Power Plug
- ▲ Flame Failure Device With
- ▲ Heating Efficiency $\geq 62\%$
- ▲ Gas Type NG/LPG
- ▲ Heat Rating (Mj/h) Wok: 1*14.4 Semi-rapid: 2*6.3 Rapid: 1*10.8 Auxiliary: 1*3.6
- ▲ Rated Pressure 1kPa
- ▲ Net / Gross Weight 21kg/23.3kg
- ▲ Warranty 2-Year (Parts & Labour)*



S58668A-870mm (5-Burner S/S)



- ▲ No. of Burners 5 Burners
- ▲ Product Size 870*510 (L*W)
- ▲ Cutout Size 850*486 (L*W)
- ▲ Panel Thickness 0.8mm
- ▲ Panel Material 304 Stainless Steel
- ▲ Pilot Ignition 240V (10A) Power Plug
- ▲ Flame Failure Device With
- ▲ Heating Efficiency $\geq 62\%$
- ▲ Gas Type NG/LPG
- ▲ Heat Rating (Mj/h) Wok: 1*14.4 Semi-rapid: 2*6.3 Rapid: 1*10.8 Auxiliary: 1*3.6
- ▲ Rated Pressure 1kPa
- ▲ Net / Gross Weight 17.5kg/19kg
- ▲ Warranty 2-Year (Parts & Labour)*



S313S-870mm (3-Burner Glass)



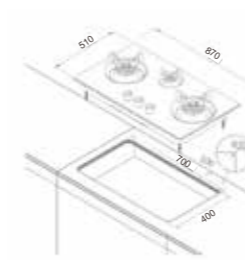
New

- ▲ No. of Burners 3 Burners
- ▲ Product Size 870*510 (L*W)
- ▲ Cutout Size 700*400 (L*W)
- ▲ Panel Thickness 8mm
- ▲ Panel Material Tempered Glass
- ▲ Ignition Battery Ignition
- ▲ Flame Failure Device With
- ▲ Heating Efficiency $\geq 68\%$
- ▲ Gas Type NG/LPG
- ▲ Heat Rating (Mj/h) Wok: 2*18.72 Semi-rapid: 1*7.2
- ▲ Rated Pressure 1kPa
- ▲ Net / Gross Weight 18.5kg/20kg
- ▲ Warranty 2-Year (Parts & Labour)*

S46036B-600mm (4-Burner Glass)



- ▲ No. of Burners 4 Burners
- ▲ Product Size 600*510 (L*W)
- ▲ Cutout Size 560*470 (L*W)
- ▲ Panel Thickness 8mm
- ▲ Panel Material 4-Layer Tempered Glass
- ▲ Pilot Ignition 240V (10A) Power Plug
- ▲ Flame Failure Device With
- ▲ Heating Efficiency $\geq 62\%$
- ▲ Gas Type NG/LPG
- ▲ Heat Rating (Mj/h) Wok: 1*14.4 Semi-rapid: 2*6.3 Auxiliary: 1*3.6
- ▲ Rated Pressure 1kPa
- ▲ Net / Gross Weight 14.6kg/16.7kg
- ▲ Warranty 2-Year (Parts & Labour)*



SE313S



S38628A

S38628A-870mm (3-Burner S/S)



- ▲ No. of Burners 3 Burners
- ▲ Product Size 870*510 (L*W)
- ▲ Cutout Size 850*486 (L*W)
- ▲ Panel Thickness 0.8mm
- ▲ Panel Material 304 Stainless Steel
- ▲ Pilot Ignition 240V (10A) Power Plug
- ▲ Flame Failure Device With
- ▲ Heating Efficiency $\geq 62\%$
- ▲ Gas Type NG/LPG
- ▲ Heat Rating (Mj/h) Wok: 2*14.4 Semi-rapid: 1*6.3
- ▲ Rated Pressure 1kPa
- ▲ Net / Gross Weight 16.5kg/18kg
- ▲ Warranty 2-Year (Parts & Labour)*

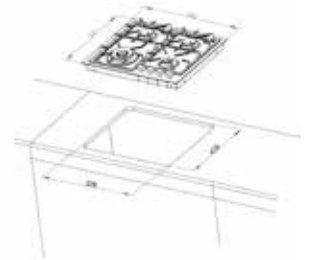
S46038A-600mm (4-Burner S/S)



- ▲ No. of Burners 4 Burners
- ▲ Product Size 600*510 (L*W)
- ▲ Cutout Size 578*478 (L*W)
- ▲ Panel Thickness 0.8mm
- ▲ Panel Material 304 Stainless Steel
- ▲ Pilot Ignition 240V (10A) Power Plug
- ▲ Flame Failure Device With
- ▲ Heating Efficiency $\geq 62\%$
- ▲ Gas Type NG/LPG
- ▲ Heat Rating (Mj/h) Wok: 1*14.4 Semi-rapid: 2*6.3 Auxiliary: 1*3.6
- ▲ Rated Pressure 1kPa
- ▲ Net / Gross Weight 12.5kg/14kg
- ▲ Warranty 2-Year (Parts & Labour)*



S46036B



S46038A

DE&E Super Firepower Built-in Gas Hobs

Fierce big firepower and stable small firepower



New generation 5.5kW original Sabaf burner



68% Super high efficiency burner design

Achieve up to 68% high efficiency



Spain ORKLI Safety Device Flame Failure Device

Provide flameout protection to ensure no gas leakage



Four-Layer Explosion-proof Tempered Glass

1-Glass glaze-strengthening layer
2-Tempered glass layer
3-Aluminum film heat dissipation layer
4-Explosion-proof film layer



Up to 19.8Mj/h Power



Ultra-slim Panel



Cast Iron Pan Support



2-Year Warranty



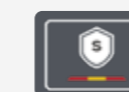
Italian Feeling Technology



Italian Original Sabaf Burner



Spain ORKLI Microswitch



Spain ORKLI Safety Device

ZK4585

DE&E' S Steam & Grill Oven

Creates more possibilities for you in the kitchen



70L Large Capacity

Large capacity and scientific layout

- 
70L super large capacity
- 
TFT color screen sensor touch control
- 
Even roasting achieved by 3D heating
- 
Descaling and self-cleaning function
- 
19 modes+50 pre-set recipes



New Generation Steaming

The dual heating pipes are heated while the steam generator is running where the internal temperature reaches 120°C quickly, hence, shortens the cooking time, retains all nutrients, flavor-sealing, and maintain original taste at all time.



Even Heating

The U-Style heating elements both in the upper and lower parts of the oven combined with the air circulation fan in the rear creates a 4 dimensional even heating system.



4D Heating

The internal fan circulates the heat evenly inside the oven chamber where food is evenly cooked while preserving the natural taste of food.



Large Capacity

The scientific spatial layout creates 45L large capacity, making three layers of food being cooked at the same time possible.



Precise Temperature

Easy Control
- Multi-modes cooking: Steam & Grill
- Satisfies multi-expectations



18 Smart Multi-menus

The built-in function-rich menus includes
- 6 smart modes + 12 traditional modes
- One-touch easy cooking



Smart Temperature Control

The smart control sets the temperature range at 30°C - 230°C, with a tolerance of ±1°C.



Triple Cooling Systems

The top cooling fan, front outlet and combined with the unique design of 3-layered convection door leads to faster cooling.



Food Grade Enamel Cavity

800°C - High temperature resistance, safe and easy to maintain.

Steam & Grill Combi Oven



ZK4588



ZK4585

- ▲ Functions(pre-set) 12+6 Steam & Bake
- ▲ Operation Touch Panel
- ▲ Racks 3 Level Racks
- ▲ Internal Chamber Baked Blue Enamel
- ▲ Water Container No,Direct Tap Water
- ▲ Capacity 45L
- ▲ Temperature Range 30°-230°
- ▲ Voltage/Frequency 220-240V~50/60Hz
- ▲ Power Consumption 2500W
- ▲ Net/Gross Weight 32.5kg/35.5kg
- ▲ Warrantly 2 Year

- ▲ Functions(pre-set) 12+6 Steam & Bake
- ▲ Operation Touch Panel
- ▲ Racks 3 Level Racks
- ▲ Internal Chamber Baked Blue Enamel
- ▲ Water Container Yes,1L Capacity
- ▲ Capacity 45L
- ▲ Temperature Range 30°-230°
- ▲ Voltage/Frequency 220-240V~50/60Hz
- ▲ Power Consumption 2500W
- ▲ Net/Gross Weight 32.5kg/35.5kg
- ▲ Warrantly 2 Year

